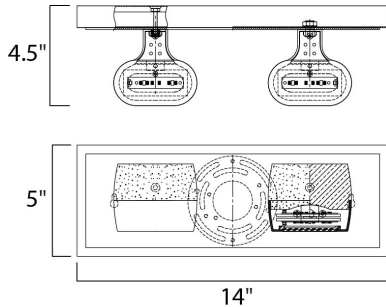




PRODUCT DESCRIPTION

This contemporary design feature oval shaped die cast cups finished in Polished Chrome which supports matching shape bubble glass shades. Each cup has dual LED modules which both light the glass shade above and provide down light below.



MEASUREMENTS

DIMENSION : 14" W x 5" H x 4.5" Ext
 BACK PLATE : 1.8" HCO
 HANGING WEIGHT : 5.98 lb

LAMPING

INPUT VOLTAGE : 120V
 LUMENS : 840 Rated
 BULB : 4 x 3W LED AC Integrated , 12W Total
 BULB INCLUDED : (Integrated)
 DIMMABLE : Triac CL
 COLOR_TEMP : 3000K
 LIGHTING_DIRECTION : Up/Down

FINISHES OPTION



GLASS

Etched Bubble 89

MATERIAL

Steel

RATINGS

cETLus
 Damp Location



ADDITIONAL

INSTALL UP/DOWN: Up
 OPERATING TEMPERATURE:
 -20°C (-4°F), 40°C (104°F)

Always consult a qualified electrician before installing any lighting product.



**Contemporary
 Lighting™**

WESTERN DISTRIBUTION CENTER (HEADQUARTER)
 253 NORTH VINELAND AVE | CITY OF INDUSTRY, CA 91746

EASTERN DISTRIBUTION CENTER
 4200 SHIRLEY DR. | ATLANTA, GA 30336

P. 626.956.4200 | F. 626.956.4225 | et2online.com