

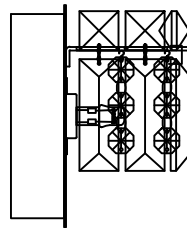
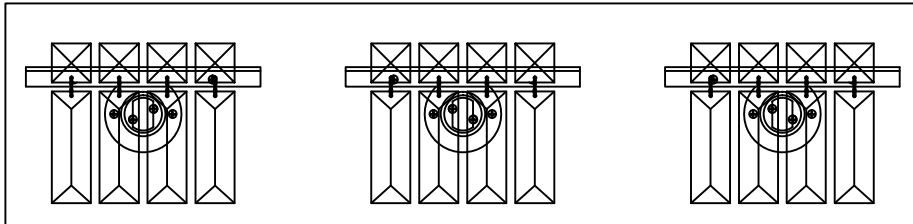


Contemporary
Lighting™

PRODUCT NAME: Bangle

ITEM NUMBER: E23253-20PC

Please consult your electrician for hanging fixture and wiring.



Caution: Xenon bulbs get very hot and may burn you. Always make sure bulbs are off for a minimum of 10 minutes before handling. Fixture may be dimmed using an electronic low voltage dimmer.

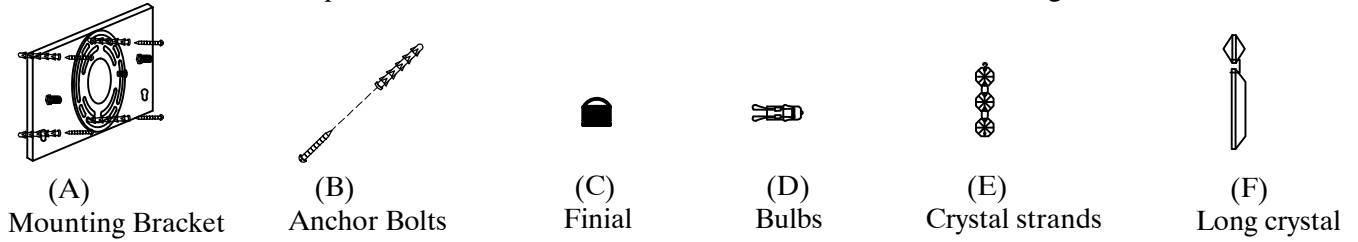
Bulbs (Included): 3*50W G9

PRODUCTS ARE NOT INTENDED
FOR COMMERCIAL USE.

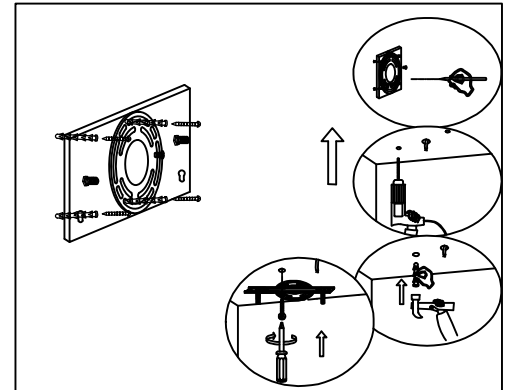
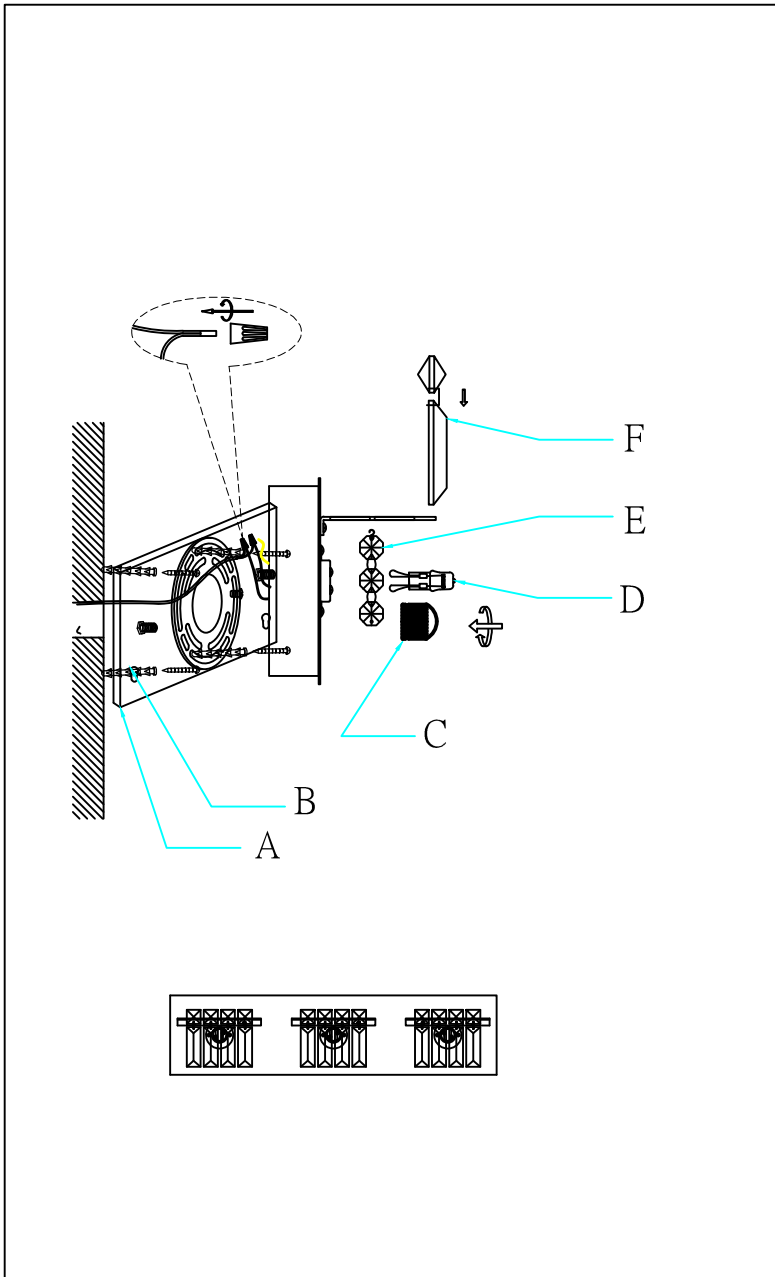
MADE IN CHINA

Page 1 of (2)

IMPORTANT: Turn off the power at the main fuse or circuit breaker box before starting installation

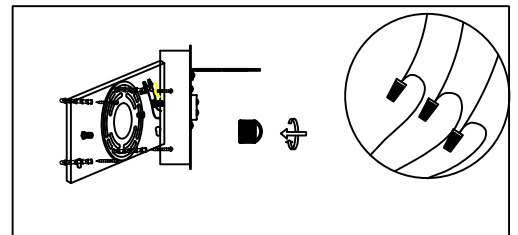


Locate all hardware & components before discarding packaging



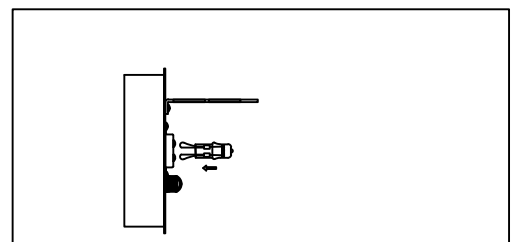
1.)

Step.1: Remove mounting bracket (A) and install to electrical box. Mark where anchors meet the wall, remove mounting bracket from the wall, and then drill holes using $\frac{3}{16}$ " drill bit where marked (B). Install mounting bracket and attach anchors to secure bracket at ends.



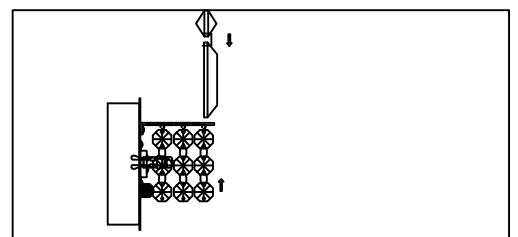
2.)

Step.2: Wire fixture to wires in outlet box. Green wire is for Ground, install fixture to the bracket and tighten finial (C) until the fixture is flush with the wall.



3.)

Step.3: Install maximum 50W G9 Xenon bulbs (D) to the socket.



4.)

Step.4: Hang the crystal stands (E) along the inner holes of plate. Slide the longer crystals (F) through the triangular punched holes, and twist so that bevel faces out. Page 2 of (2)

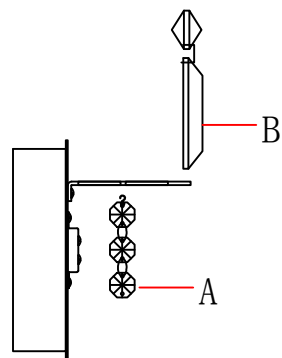
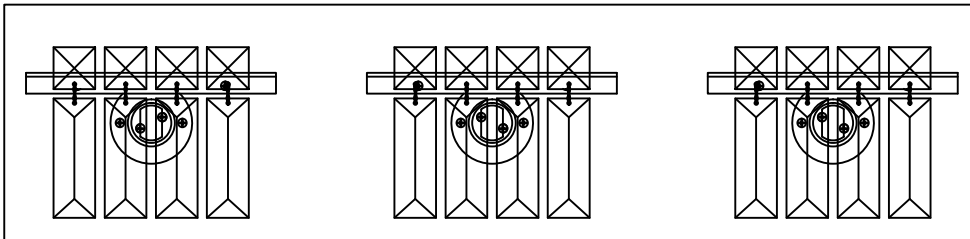
Cleaning & Care:

Clean with soft cloth and a mild detergent.
Do not use abrasive cleaner.

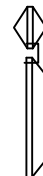


Contemporary Lighting™

Model E23253-20PC Crystal Diagram



A-24 (L:3.1")
ECRY23251-S2



B-24 (L:3.4")
ECRY23251-S1