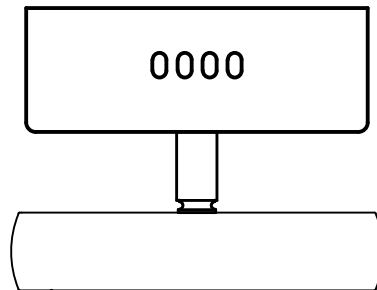


# Contemporary Lighting

PRODUCT NAME: Timbale  
ITEM NUMBER: E21140-01PC

Please consult your electrician for hanging fixture and wiring.



The fixture is designed to dim with a standard Triac forward phase dimmer. Dimming levels will vary by dimmer.

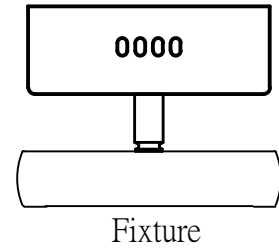
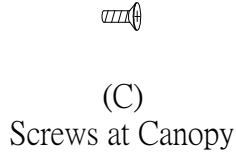
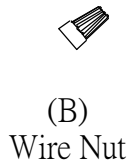
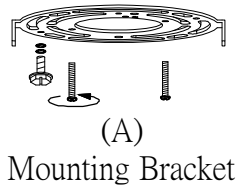
Below is a list of recommended dimmers:

- Lutron MACL-153M
- Lutron DVL-153P
- Lutron SCL-153P
- Leviton IPL06-10Z
- Leviton 6674-POW

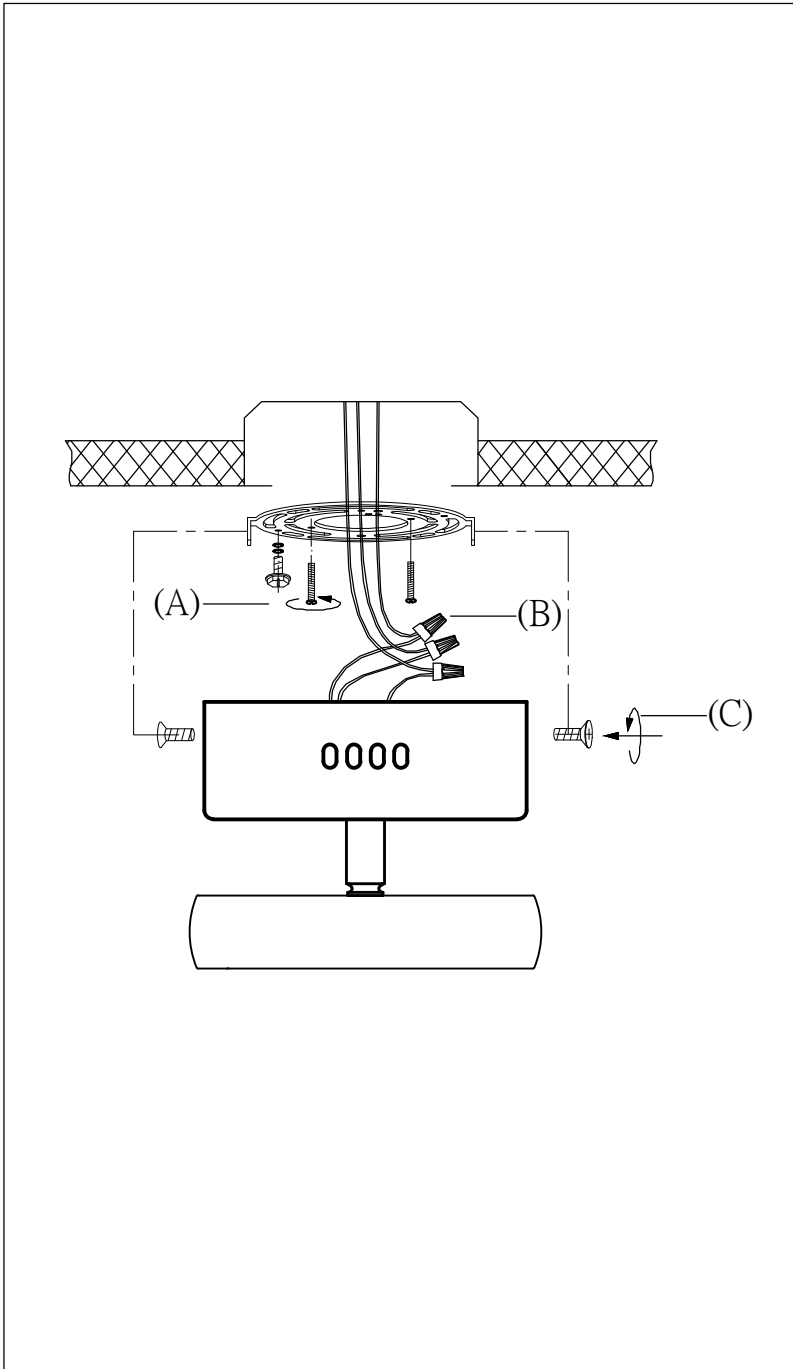
Due to inrush current wattage should not exceed 150 watts of product for a 600 watt dimmer.

Warning! This fixture is supplied with an installed LED driver. These fixtures are dimmable using standard triac dimmer. For best operation we recommend using Lutron CL Dimmers.

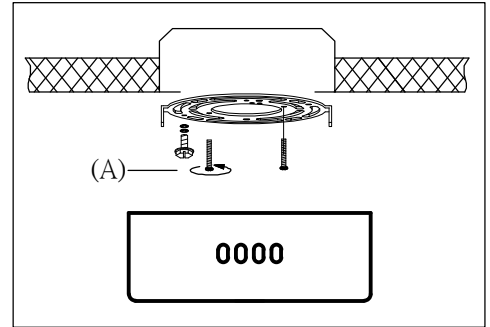
**IMPORTANT:** Turn off the power at the main fuse or circuit breaker box before starting installation



Locate all hardware & components before discarding packaging

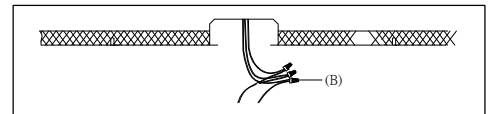


1.)



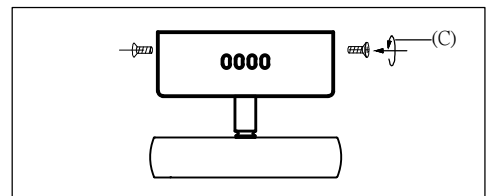
Step.1: Remove mounting bracket (A) from fixture and install to electrical box.

2.)



Step.2: Wire fixture to wires in outlet box using wire nuts (B) provided. Copper wire is for Ground.

3.)



Step.3: Install fixture to bracket using screws (C) on the sides of the canopy to secure.

**Cleaning & Care:**

Clean with soft cloth and a mild detergent.  
Do not use abrasive cleaner.