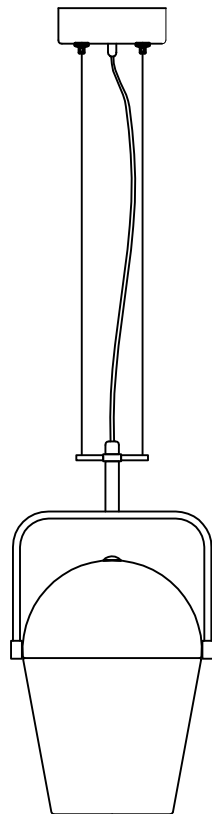




# Contemporary Lighting

PRODUCT NAME: Stage  
ITEM NUMBER: E20833-SA

Please consult your electrician for hanging fixture and wiring.



The fixture is designed to dim with a standard Triac forward phase dimmer. Dimming levels will vary by dimmer.

Below is a list of recommended dimmers:

- Lutron MACL-153M
- Lutron DVL-153P
- Lutron SCL-153P
- Leviton IPL06-10Z
- Leviton 6674-POW

Due to inrush current wattage should not exceed 150 watts of product for a 600 watt dimmer.

**Warning!** This fixture is supplied with an installed LED driver. These fixtures are dimmable using standard triac dimmer. For best operation we recommend using Lutron CL Dimmers.

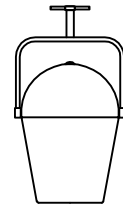
**IMPORTANT:** Turn off the power at the main fuse or circuit breaker box before starting installation



(A)  
Mounting Bracket

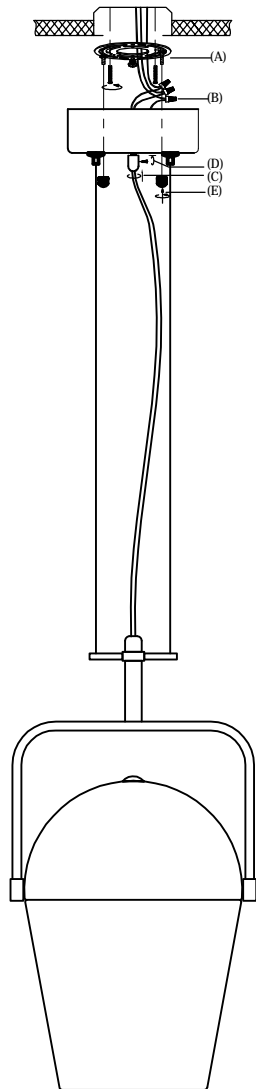


(E)  
Finial

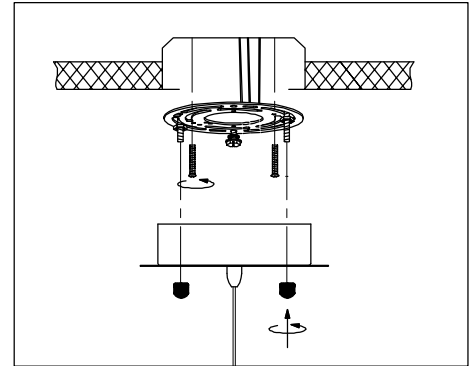


Lamp Body

Locate all hardware & components before discarding packaging

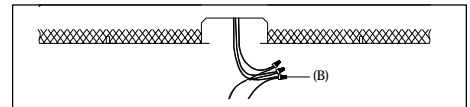


1.)



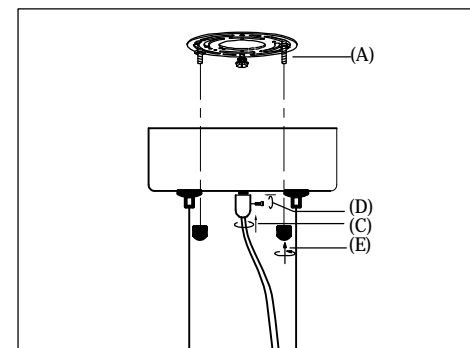
**Step.1:** Remove mounting bracket (A) from fixture and install to electrical box.

2.)



**Step.2:** Wire fixture to wires in outlet box using wire nuts (B) provided. Copper wire is for Ground.

3.)



**Step.3:** Adjust wire length to desired mounting height, and tighten strain relief screws to secure. Install fixture to bracket and tighten finials (E) at the ends of the canopy to secure.

#### Cleaning & Care:

Clean with soft cloth and a mild detergent.  
Do not use abrasive cleaner.